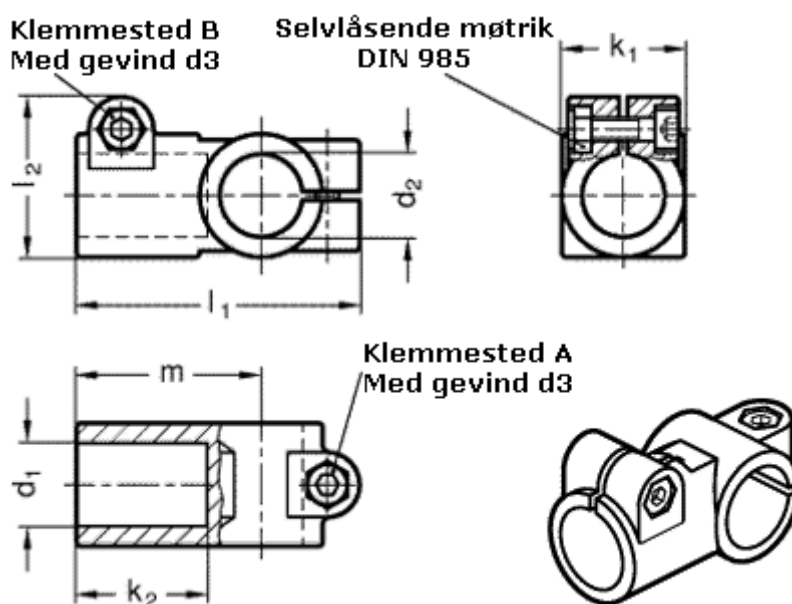


Article number: 20192B42B42652SW

Description: E+G

T-angle clamps GN192-B42-B42-65-2-SW

## Measures



$d_1 = B42$

$d_2 = B42$

$d_3 = M10$

$k_1 = 65$

$k_2 = 75.0$

$l_1 = 148$

$l_2 = 77.5$

$m = 103$